

Solutions Roadmap

Produced and Illustrated
by Sciencix Engineers

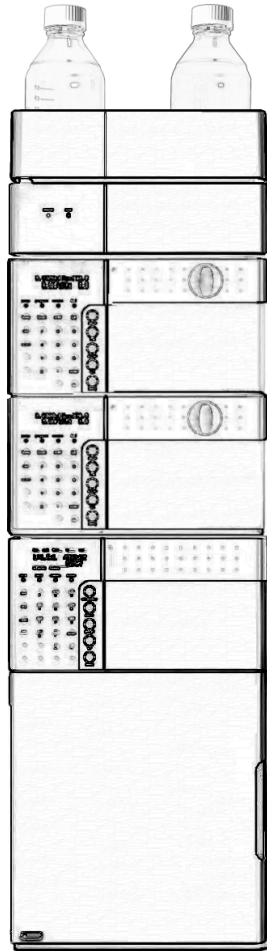


CHROMATOGRAPHIC 
SPECIALTIES INC.

1-800-267-8103 • www.chromspec.com • tech@chromspec.com



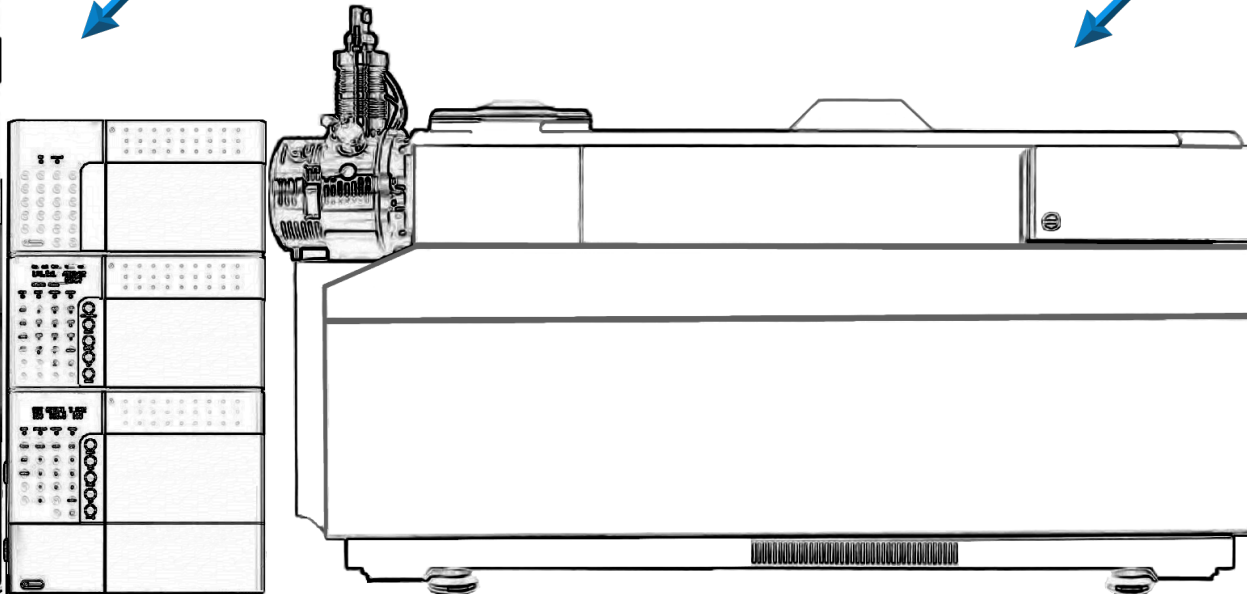
SCIEIX™ LCMS



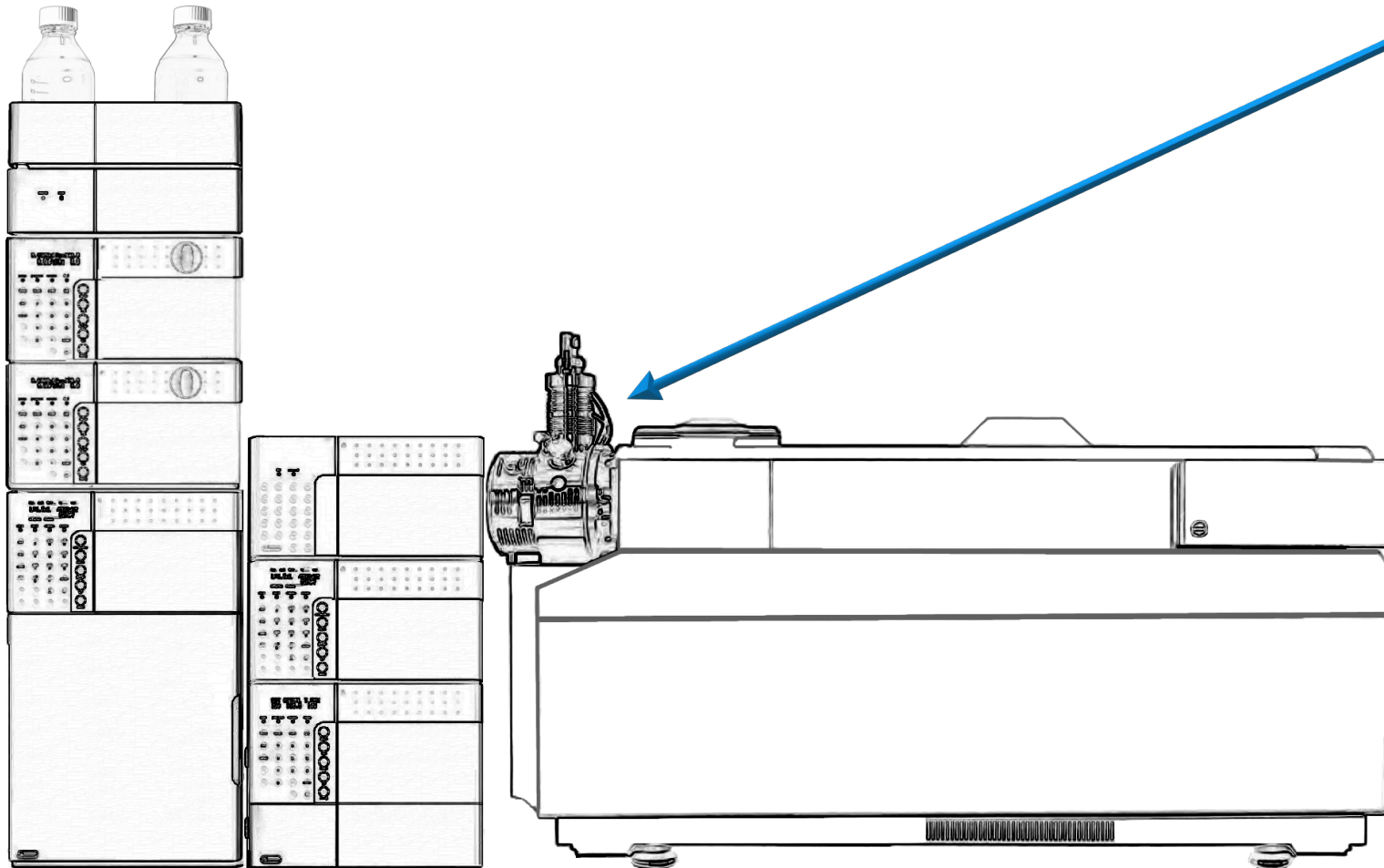
Shimadzu® HPLC Front End Components		
Product Description	Sciencix Part #	Comparable OEM Part #
Suction Filter, Stainless Improved	CTS-A11316	4426106
PTFE Diaphragm, 2/PK	11-2891	4425151
Gold Plunger Seal	11-4133	4427161
Line Filter Assembly	CTS-A11421	4425351
Sapphire Plunger w/Holder	11-3795	4425124
Plunger Seal	CTS-10693	4425353

SCIEIX™ Air Filters, Models: 3000/4000/5000, 4500/5500/6500, 4600/5600, 3200		
Product Description	Sciencix Part #	Comparable OEM Part #
Air Intake Filter	CTS-21572	1007740
Air Intake Filter, 4600/5600 Systems	CTS-21573	1032854
Air Intake Filter, 4/pk	CTS-21459	1027708
Air Intake Filter-Yellow	CTS-21444	1003712

- 3000/4000/5000
- 4500/5500/6500
- 4600/5600
- 3200



SCIEX™ LCMS



SCIEX™ Source Components		
Product Description	Sciencix Part #	Comparable OEM Part #
TIS Capillary Electrode	33-1034	025392
1/16" Union for TIS Probe and APCI	CTS-21137	025348, 5045984
1/16" Short Hex PEEK™ Fitting	CTS-21134	5053804
O-Ring (3/16" ID X 1/16", Viton™)	CTS-21173	003403
O-Ring, Viton™ (5.3 ID X 1.77W)	CTS-21523	017809
TIS Capillary Electrode	CTS-21212	018782
APCI Electrode	CTS-21102	025388
Spring, Turbo V™ Source	CTS-21189	026626
Rotor Seal	CTS-21309	4465678

SCIEX™ LCMS PM Kits

DESCRIPTION	Sciencix Part #	Comparable OEM Part #
PM Kit, LC-20AD/AB	CTS-21822	4444114
PM Kit (4500, 5500, 6500)	CTS-21568	5054105
PM Kit, LC-20AD	CTS-21771	4443034
PM Kit, MS	CTS-21286	5058495
PM Kit, 4000, 5000	CTS-21445	028447
Electrode Turbo Kit, MS	CTS-21500	5058491