

# crs GC septa



Inert | Low bleed | Long lifetime

Quality injection port septa  
for GC analysis

 **TRAJAN**

[www.trajanscimed.com](http://www.trajanscimed.com)



**CHROMATOGRAPHIC**   
**SPECIALTIES INC.**

1-800-267-8103 • [www.chromspec.com](http://www.chromspec.com) • [tech@chromspec.com](mailto:tech@chromspec.com)



Trajan's CRS GC septa is founded on unique technologies the optimize the performance of the injection port. CRS GC septa ensures:

- Very high temperatures of operation.
- Exceedingly tight requirements for low emission of volatile and liquid components.
- Resistance to sticking.

Inert | Low bleed | Long lifetime



## CRS GC septa

---

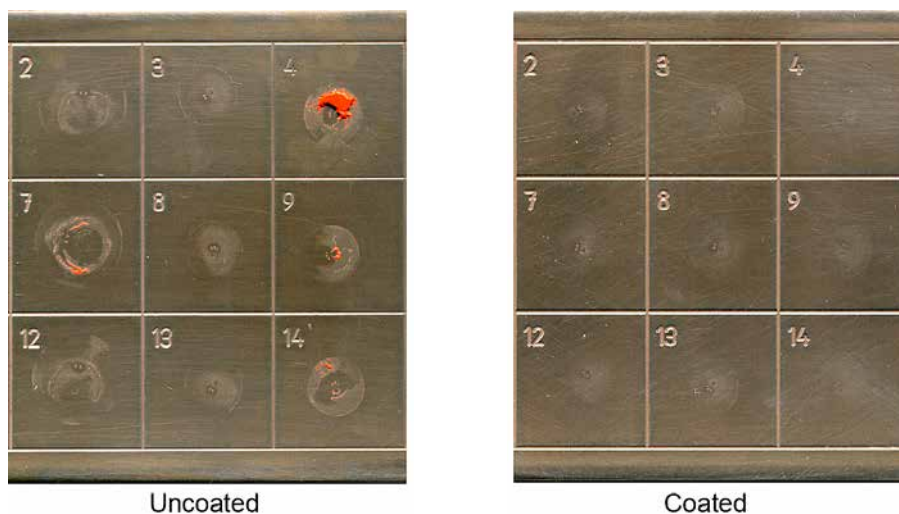
CRS GC septa are preconditioned for low bleed, plasma-coated to reduce sticking and are packed in blister packs and glass jars for high purity. We have developed unique technologies in the course of developing injection port septa for gas chromatographs. This particular application is characterized by very high temperatures of operation – to the limit of the material specification; Exceedingly tight requirements for low emission of volatile and liquid components, and a surface that needs to be resistant to sticking.



# Injection port | GC septa

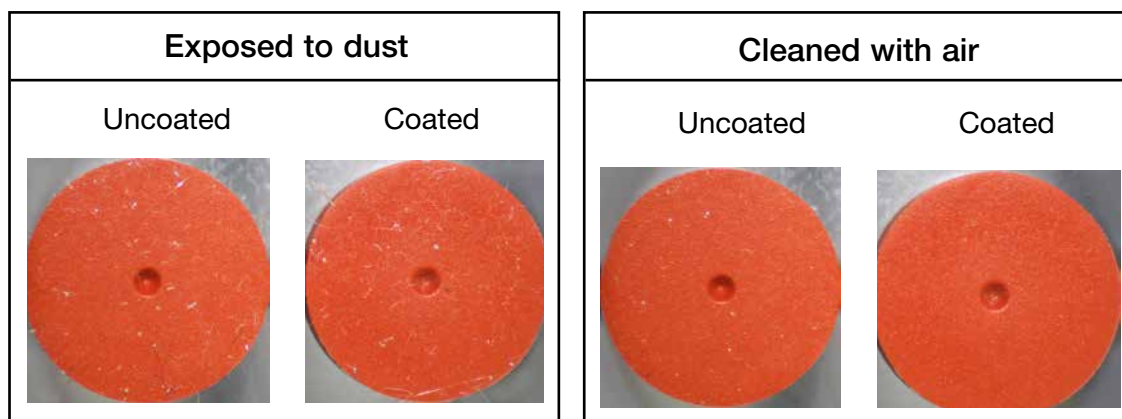
## High temperature performance

Accelerated high-temperature tests show adhesion of silicone rubber formulations to a steel plate, with and without the non-stick coating. The difference in adhesion is readily apparent. In actual use this performance means easier septum removal and less injection port cleanup.



## Plasma coating

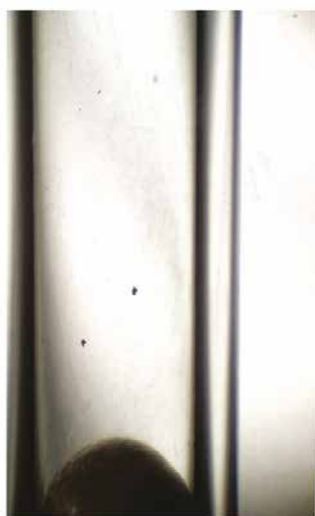
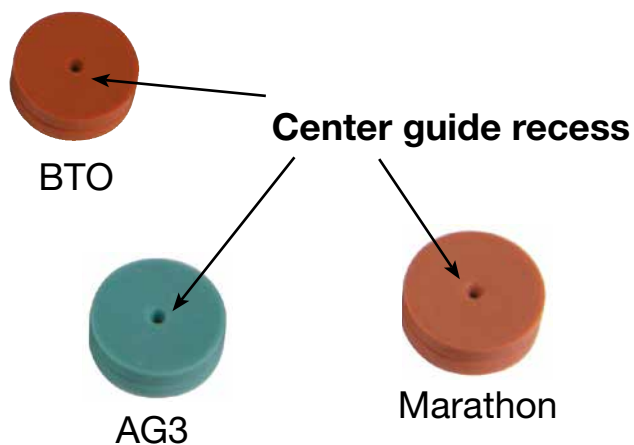
- Non-stick surface treatment.
- Easy to change even with high temperatures.
- Stays clean, does not attract dust.



## Center guide and pre-pierced advantage

- Center point guides the needle for easy penetration.
- Reduces needle bending.
- Reduces coring and tearing.

CRS GC septa in BTO, AG3 and Marathon formulations are precision molded with a recess on the injection side, to guide the syringe needle to the same point with every injection. The center guide design requires less force on initial penetration for a smoother feel. Pre-pierced septa give long injection life for autosampling, reduce coring, and enhance reliable performance.



Center guide and pre-pierced



Non-center guide and non-pierced

**crs** GC septa

# Injection port | GC septa

## BTO premium high-temp GC septa

---

GC septa BTO is bleed and temperature optimized for the most demanding GC and GC-MS applications: it is the finest GC septum we have tested. GC septa BTO is formulated to extend low bleed and outstanding mechanical properties of premium GC septa to the highest temperature applications. It retains remarkable softness and pierceability at high temperatures, with extremely low bleed, and has been optimized to reduce injection port adhesion.



## AG3 low-bleed GC septa

---

The CRS Advanced Green 3 (AG3) GC septum was created to combine significantly longer injection life, low bleed and low injection port adhesion. The result is a green septum you can use for all your critical analyses.



## Marathon long-life GC septa

---

This is an advanced GC septum for autosampler use, with significantly longer life. The CRS Marathon GC septum typically achieves 400 injections without failure when used with a rounded-tip (HP-style) needle and autosampler or needle guide. Now you can make extended autosampler runs without fear of sample loss caused by blow-back of leaking carrier gas. The CRS Marathon GC septum is also ideal for standard manual injection GC and GC-MS.



## General purpose blue GC septa

---

We offer general purpose blue GC septa that are economical and suitable for use in many applications. While they do not have the low-bleed quality or plasma coating of the premium GC septa they do hold up well at up to 275°C and provide lower bleed levels than many low-end or generic GC septa.



## Puresep T GC septa

---

The CRS Puresep T GC septa are faced with polyimide film and have a double layer of polyimide and PTFE on one side. Puresep T GC septa are not low bleed septa, and their recommended maximum temperature is 225°C. Puresep T GC septa are stamped from sheets of material to the size specified. All general purpose septa are produced to tight tolerances in dedicated molds.



**crs** GC septa

# Injection port | GC septa

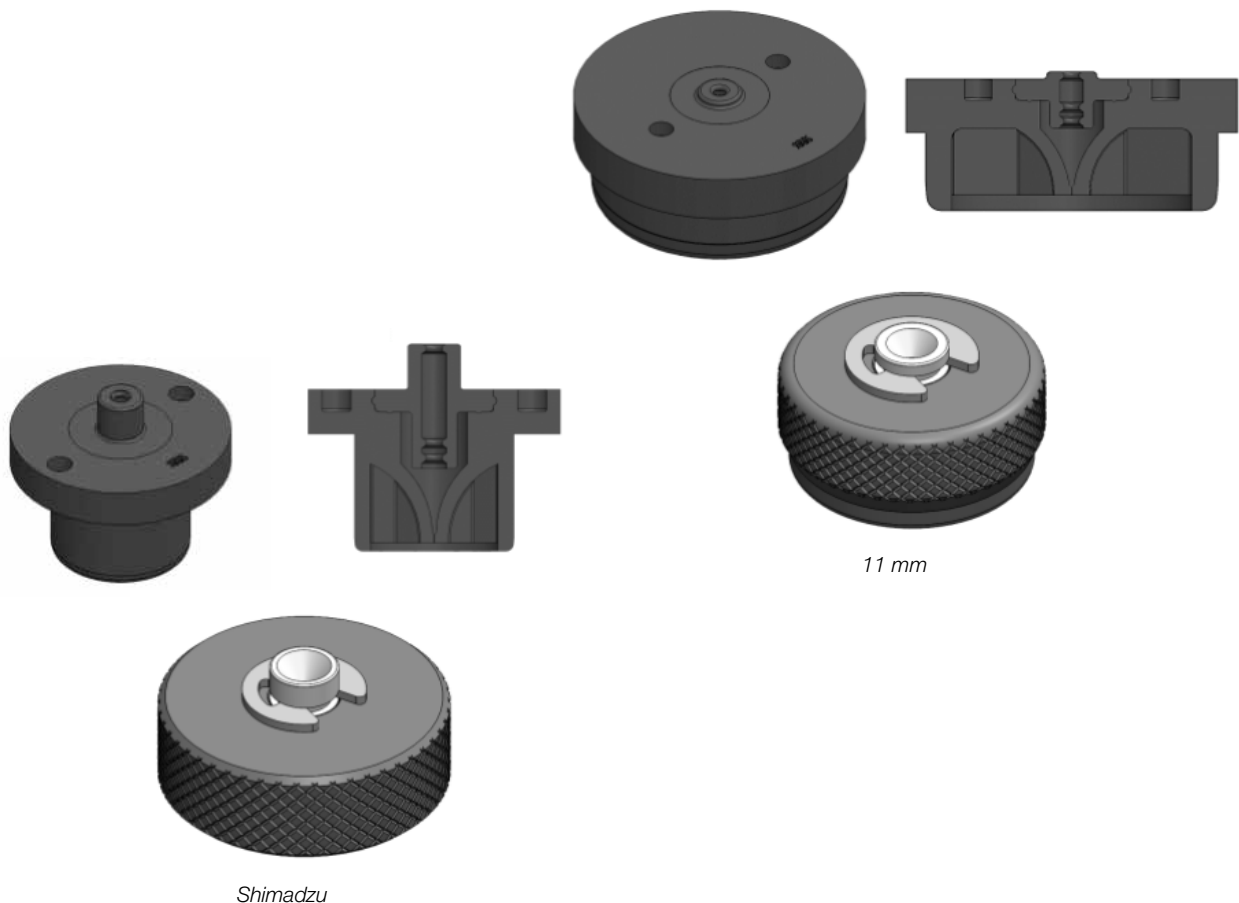
## Endura-Seals GC Septa

---

Endura-Seals are a patented alternative to typical silicone-rubber injection port septa for gas chromatography. They work in a 2-part sealing system that includes the septa and the sealing nut.

The duckbill valve and wiper seal combination in the Endura-Seals is much more resistant to needle wear and tear than traditional pierced septa. While premium septa are already designed to reduce coring (particles in the liner), the Endura-Seals allow the needle to glide through the valve to virtually eliminate such particles. The Endura-Seals utilize a more cost-effective elastomeric spring design instead of the metal spring used in some competing designs. These features make the Endura-Seals GC septa an ideal choice for automated analyses in the long sequences used with today's high capacity autosamplers.

The Endura-Seals are available in 11 mm and Shimadzu style kits. Each kit includes 1 sealing nut and 2 septa. 11 mm Endura-Seals will fit in most instrument ports without the need for an adapter kit.



# crs GC septa

Quality injection port septa for GC analysis.

Visit us at [www.trajanscimed.com](http://www.trajanscimed.com) or contact your regional Trajan representative for assistance and further information.



## Trajan Scientific and Medical

### Science that benefits people

Trajan is actively engaged in developing and delivering solutions that have a positive impact on human wellbeing. Our vision revolves around collaborative partnerships that improve workflows, delivering better results.



[www.trajanscimed.com](http://www.trajanscimed.com)



**CHROMATOGRAPHIC  
SPECIALTIES INC.**



1-800-267-8103 • [www.chromspec.com](http://www.chromspec.com) • [tech@chromspec.com](mailto:tech@chromspec.com)