

## Gas Purifier for Nitrogen Generators

- Specifically designed to purify nitrogen produced from nitrogen generators
- Decrease baseline noise and increase LC/MS sensitivity
- Reduce background noise and ghost peaks



### Description

VICI Metronics nitrogen purifiers are optimized for the high flow nitrogen gas supply used on LC/MS instruments. Several types of contaminants are detrimental to LC/MS performance – notably moisture, hydrocarbons, and halocarbons. A Metronics nitrogen purifier module placed in line with the nitrogen gas delivery system removes these contaminants, retaining them for the operating life of the purifier.

The purifier reduces most contaminant levels from many parts per million to levels that are below the lower limit of analytical detection, and absorbs a larger number and a greater variety of contaminants than other commonly used adsorptive materials. In particular, the Metronics nitrogen purifier has been shown to out perform the carbon-based hydrocarbon traps previously used for this application.

**Our successive bed format achieves the highest purity gas commercially available**

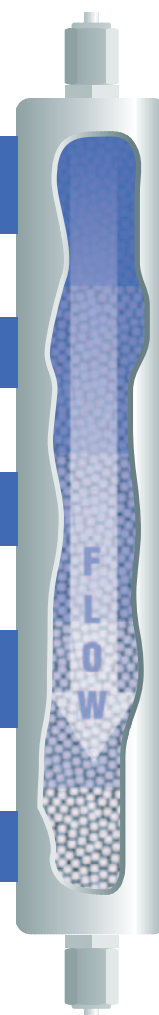
**Two very high capacity hydrocarbon and moisture sorbents at the inlet for effective contaminant removal**

**Unique proprietary broad spectrum sorbent material for multiple contaminant removal**

**Multiple bed format to allow several step reduction in contaminants**

**Removal of H<sub>2</sub>O, halocarbons, hydrocarbons, CO, CO<sub>2</sub>, H<sub>2</sub>, and sulfur containing compounds with a single purifier**

**Very high efficiency sorbents at the outlet for trace contaminant removal**



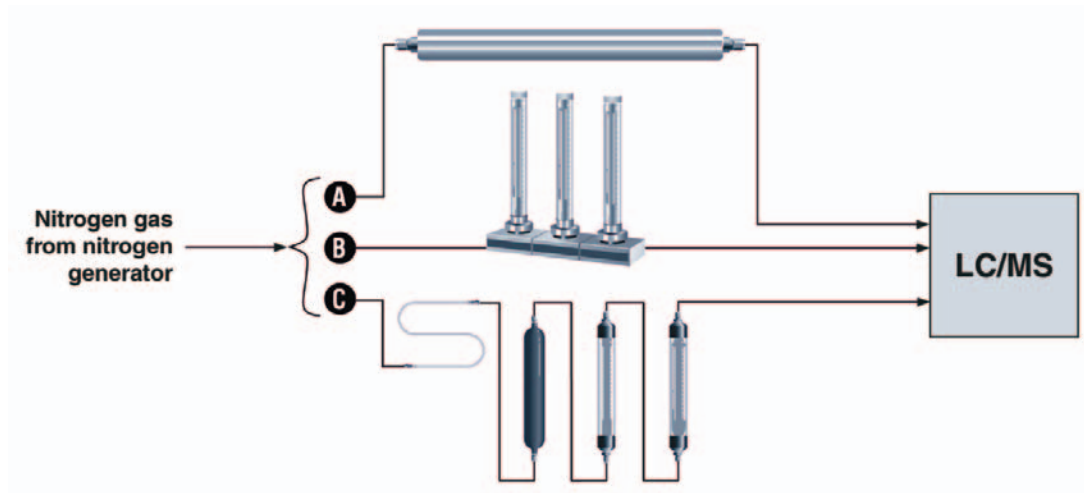
## Fittings: the Fewer the Better

Every connection in your gas delivery system has the potential for leaks; the more fittings you have, the greater the potential. In the illustration below, several gas purification options are depicted:

**A** The VICI Metronics nitrogen purifier minimizes the number of fittings. Total: **2 fittings**

**B** The “Manifold System” has two compression fittings for the system and one organic O-ring seal for each cartridge. Total: **At least 5 fittings**

**C** A typical “Contaminant Trap” configuration has several components. Before the gas supply even enters the instrument, there are at least 4 modules. Total: **At least 8 fittings**



## Specifications

Length ..... 53.3 cm (21")  
 Diameter ..... 3.8 cm (1.5")  
 Maximum inlet pressure ..... 6895 kPa (1000 psi)  
 Maximum recommended flow ..... 12 L/min

Pressure drop, 827 kPa (120 psi) inlet,  
 at a flow of 0 to 500 ml/min ..... <0.20 psi  
 Compression end fittings ..... 1/8" or 1/4"  
 Shipping weight ..... 1300 g (3.04 lb)

## Ordering Information

Product Description	Fitting	Product no.
Nitrogen purifier for nitrogen generators	1/8"	P-350-1
	1/4"	P-350-2

**VICI Metronics**  
 tel: 360 697-9199  
 fax: 360 697-6682  
 purifiers@vici.com

**VICI AG International**  
 tel: Int + 41 41 925-6200  
 fax: Int + 41 41 925-6201  
 info@vici.ch

**US customers  
 call toll-free  
 (877) 737-1887**